

HEATING AND DRYING SYSTEMS FOR **LADLES**

Transport ladles

Treatment ladles

Pouring ladles

Stopper ladles

Crucibles

Casting vessels



**ALL GASES &
ELECTRIC HEATING**

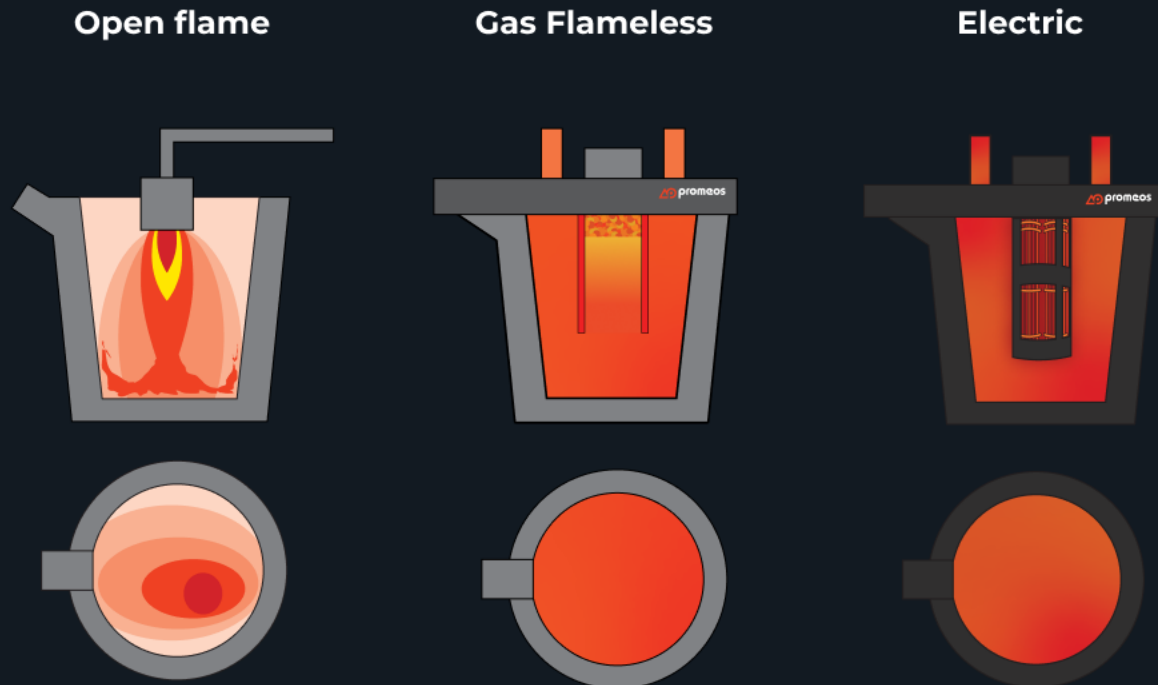
LADLE PREHEATING SYSTEMS

GAS & ELECTRIC SOLUTIONS BY PROMEOS®

Whether in foundries or steel production, the safe and controlled transport of molten metal plays a crucial role in quality, energy efficiency, and process reliability.

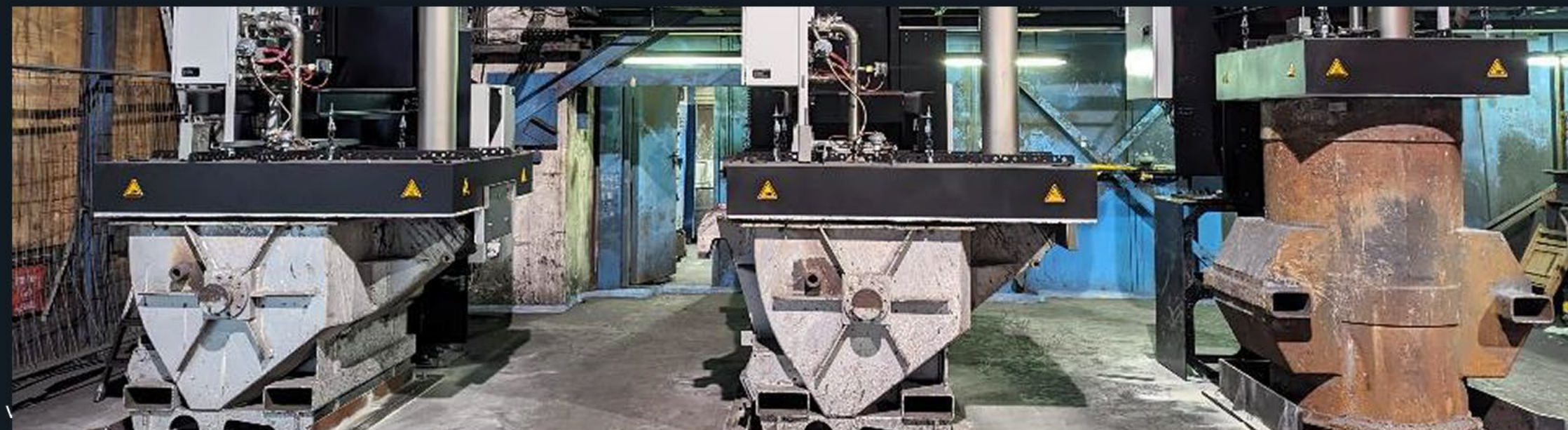
This is precisely why we have set new standards. Flameless preheating systems from promeos® are not only proven to be the most efficient, but also offer the safest of all options.

Homogeneous and continuously adjustable drying and preheating prevents hot spots and cracking, delivering maximum efficiency and a longer service life for the refractory lining.



ALL GASES LADLE PREHEATING SYSTEM

IN ACTION



LADLE PREHEATING SYSTEM ALL GASES

KEY BENEFITS

-  **Flameless burner technology** – safe, uniform, silent heat
-  **High quality insulation** – minimal energy loss
-  **Reduced CO2 emissions** and energy consumption
-  **Long refractory lifespan** and fewer cracks
-  **Adaptable to your ladle size** and process layout

FOR BOTH FORKLIFT AND CRANE TRANSPORT FOR:

casting
ladles

transfer
ladles

treatment
ladles

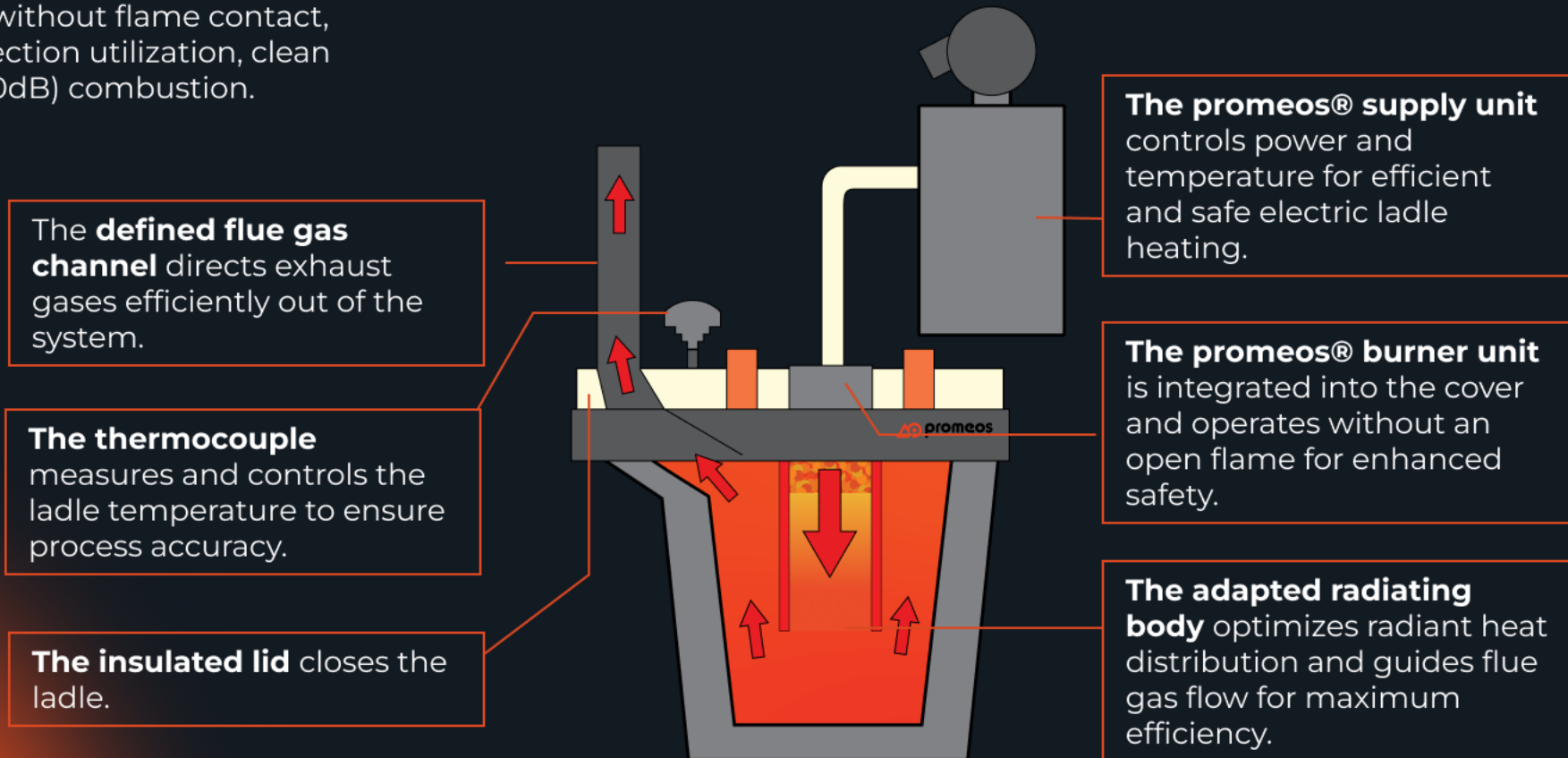
converters



LADLE PREHEATING SYSTEM ALL GASES

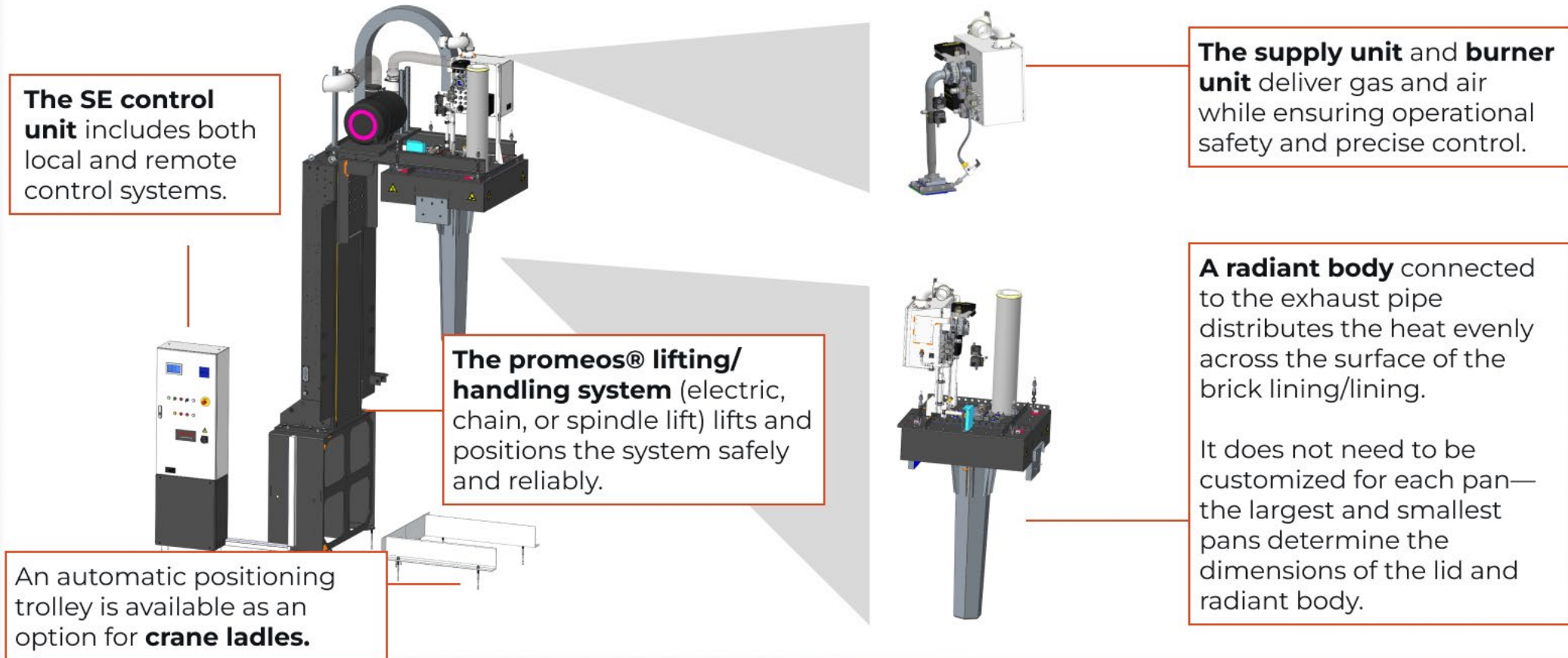
PRINCIPLE OF OPERATION

Heating lid closes the ladle. Effective heat transfer without flame contact, optimal convection utilization, clean and quiet (<70dB) combustion.



LADLE PREHEATING SYSTEM ALL GASES

PRINCIPLE OF OPERATION



ELECTRICAL LADLE PREHEATING SYSTEM

IN ACTION



ELECTRICAL LADLE PREHEATING SYSTEM

KEY BENEFITS

-  **Emissions-free operation** – match your sustainability goals
-  **High precision heating** – full temperature control
-  **Reduced energy waste** – focused energy use
-  **Intelligent automation** – control with min manual effort
-  **Flexible integration** – compatible with your existing production setup

FOR BOTH FORKLIFT AND CRANE TRANSPORT FOR:

casting
ladles

transfer
ladles

treatment
ladles

converters



CONTACT US

Whether you're looking to reduce energy costs, optimize your heating processes, or explore sustainable solutions, we're here to help.

Contact us today and discover how promeios® can transform your industrial heating systems.

- ☎ **Phone:** +49 911 377 367-0
- ✉ **Email:** info@promeos.com
- 🌐 **Website:** www.promeos.com
- 🌐 **Website:** www.my-temperature.com

These customers trust us (selection):

